

FOUNDATION™ MAKEUP MIRROR**THERE'S ONLY ONE™ ELECTRIC MIRROR®**

Electric Mirror is the global leader in Lighted Mirrors and Mirror TV technology. With unparalleled customer service and amazing innovation, Electric Mirror is the standard of luxury for five-star hotels, upscale commercial projects and designer homes.

**EM 88 TRI**

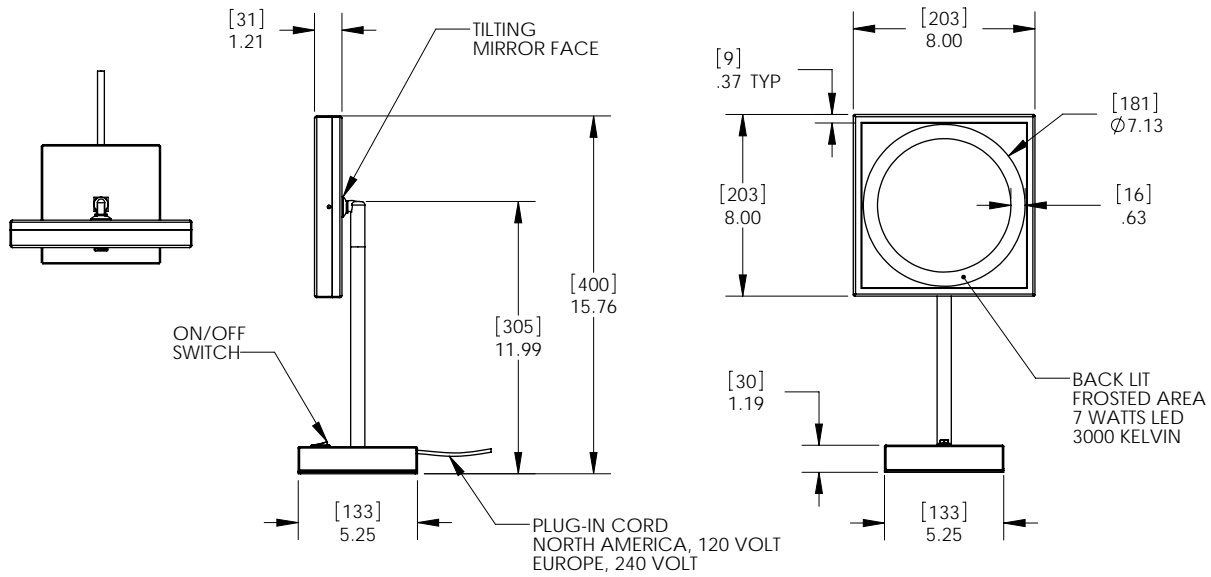
- 8" x 8" Square
- 5x Magnification
- Polished Chrome or Brushed Nickel
- Cord Connected
- Counter Top

**EMHL 88 TRI**

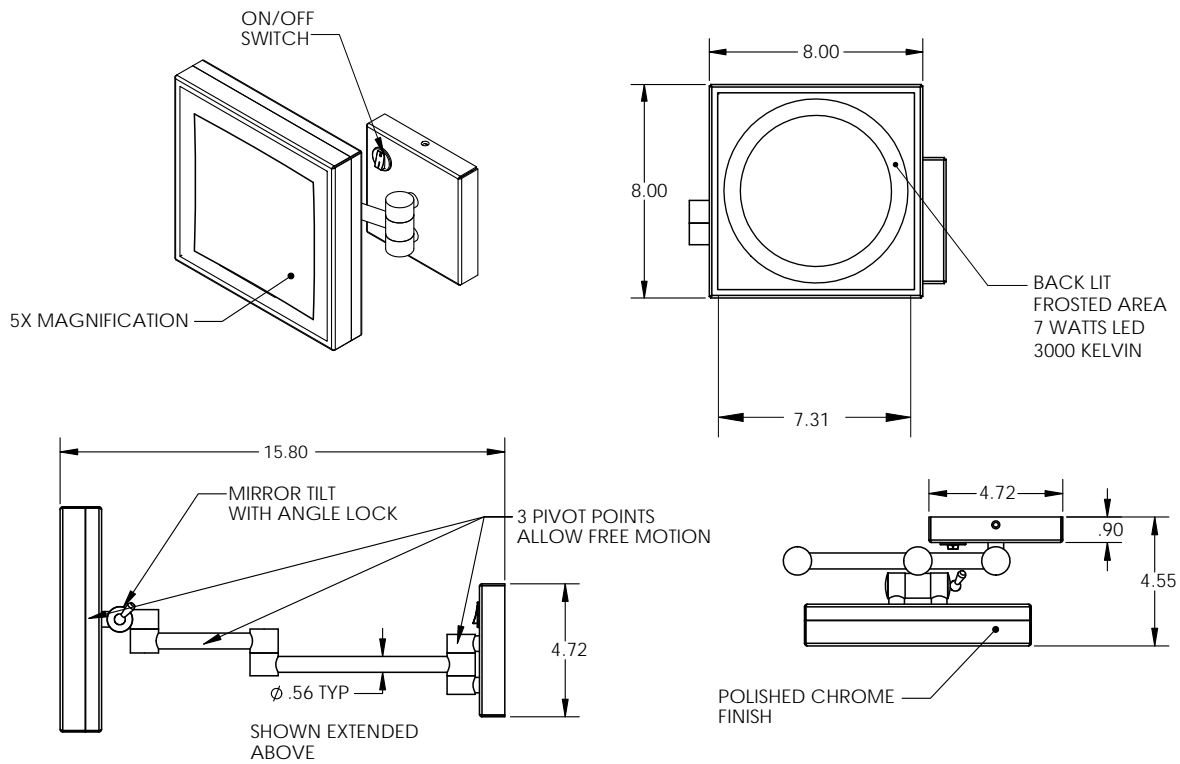
- 8" x 8" Square
- 5x Magnification
- Polished Chrome or Brushed Nickel
- Wall-Mount

Makeup mirror shall consist of a square face with dimensions of 8 inches (203.2 mm) wide by 8 inches (203.2 mm) high, possessing a magnification of 5X over a normal reflection, and an adjustable view angle. Illumination shall be back lighted via a circular window mounted inside the face of the magnifying mirror, utilizing LED technology. Metal finish shall be either polished chrome or brushed nickel. Mounting options shall be either counter top with corded electrical plug or wall-mounted with hard-wiring requirement.

FOUNDATION™ EM 88 TRI



FOUNDATION™ EMHL 88 TRI



ELECTRIC MIRROR, LLC
Seattle, WA • USA

© 2015 ELECTRIC MIRROR®

T +1 425-776-4946

www.electricmirror.com

sales@electricmirror.com

residential@electricmirror.com

PROPRIETARY AND CONFIDENTIAL:

The information contained in this specification is the sole property of Electric Mirror®. Any reproduction in part or in whole without written permission from Electric Mirror® is prohibited.

